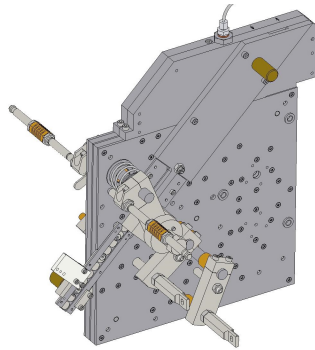


## Clickquick Verkaufsartikel



## Forming Insert for Forming Automat CQ30.

### Description

Item 14402

Insert for forming, aging and measuring bimetallic snap discs.

- Automatic insertion, tempering, forming, aging, measuring and selective ejection of bimetal-snap-action-discs
- Forming temperature +40°C bis +145°C
- Forming stamp and counterpressure stamp can be exchanged quickly
- Measuring springs for loading the snap disc during the measuring process can be exchanged quickly

Note: Forming tool can only be used in combination with a CQ30 forming automat.

### Specification

Standard version	Forming insert for forming automat CQ30 according to customer specification.
Options & Accessories	<ul style="list-style-type: none"> <li>• Provision of different forming stamps</li> <li>• Provision of necessary auxiliary materials (temperature control medium, corrosion protection, lubricating oil, ..)</li> </ul>
Capacity	Achievable pieces per hour depend mainly on the functionality and setting of the forming automat. Capacity forming automat CQ30: up to 4.000 pieces / hour
Prozess input	<ul style="list-style-type: none"> <li>• Bimetall strip with pre-punched and re-pressed discs</li> <li>• Bandwidth: max. 33mm</li> <li>• Diameter bimetal disc max. 30mm</li> </ul>
Process flow and details	Forming, aging, measuring and selecting bimetal-snap-action-discs. Important: Forming tool can only be used in combination with a forming automat CQ30.
Process output	<ul style="list-style-type: none"> <li>• Bimetal-snap-action-discs</li> <li>• Snap temperatures: -50°C to + 250°C</li> <li>• Accuracy of snap temperatures: +/- 1.5°C to +/- 10°C</li> <li>• Selected in good and bad parts</li> <li>• Bulk material or in magazine</li> </ul>
Interfaces	Interfaces to the forming automat CQ30 <ul style="list-style-type: none"> <li>• Mechanical attachments for connection to the forming machine</li> <li>• Fittings for connecting the temperature control lines of the thermostat</li> <li>• Electrical connector of the integrated forming temperature thermometer</li> </ul>
Environmental conditions	<ul style="list-style-type: none"> <li>• Industry standard: Indoor.</li> <li>• Temperature: + 18°C to + 30°C</li> <li>• Relative humidity: &lt; 70% non-condensing</li> </ul>
Dimensions and weight	<ul style="list-style-type: none"> <li>• Dimensions (Width x High x Depth): approx. 400 x 400 x 400mm</li> <li>• Net weight: approx. 10kg</li> </ul>